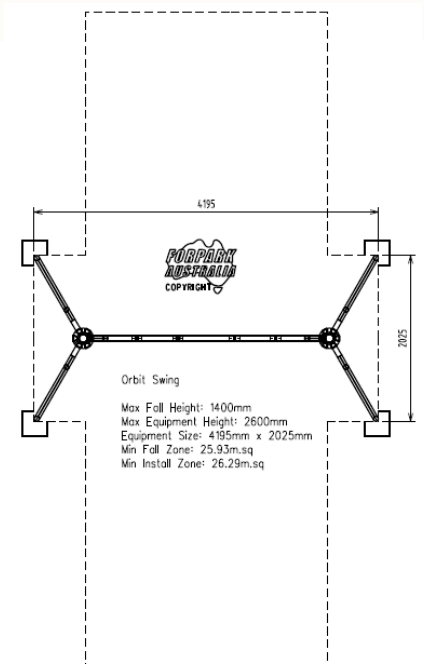
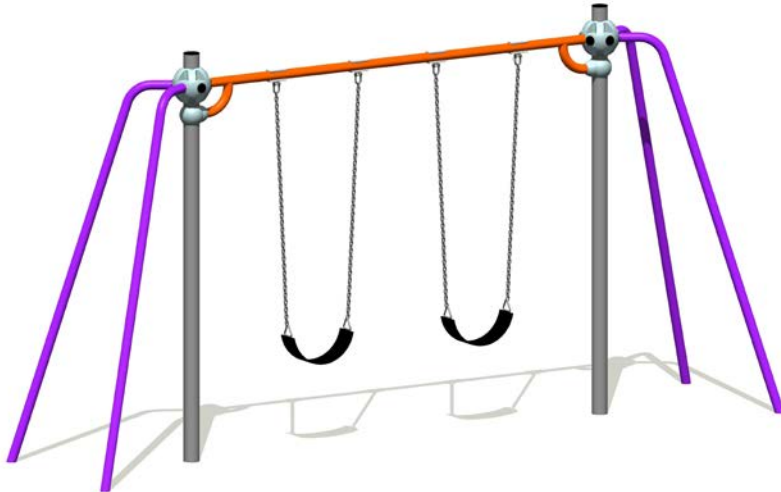




ORBIT SWING

SPECIFICATION SHEET



FALL ZONES

Area: (26m²) | FHO: 1.4m | Equip Size: 4.2m x 2.02m | Max Height: 2.6m

PRODUCT CODE	SW73
COLOURS	Frame: Standard powder coat range Uprights: Anodised Frosted Silver
MATERIAL SPECIFICATION	Uprights: Anodised aluminium Top Bar: Galvanised steel Fasteners: Steel & stainless steel Powder Coating: 80-120µ
AGE GROUP	All ages
PLAYSPACES	Parks, schools, commercial



[DOWNLOAD DESIGN FILES HERE](#)



OTHER INFORMATION

Spare Parts: Available | Warranty: 20 years | Quality Assurance: Yes | Insurance: Yes
Installation: Refer manual

STANDARDS

Complies with relevant Australian Standards including:
• AS 4685:2014 (P 1-6) | • AS/NZS 4486.1:1997 | • AS/NZS 4422:1996

*All information is commercial in confidence and is the property of Forpark Australia. All information in correct as at January 2016.

*For details regarding Australian Standards, Warranties, Insurances, QA and Installation please contact your local office.