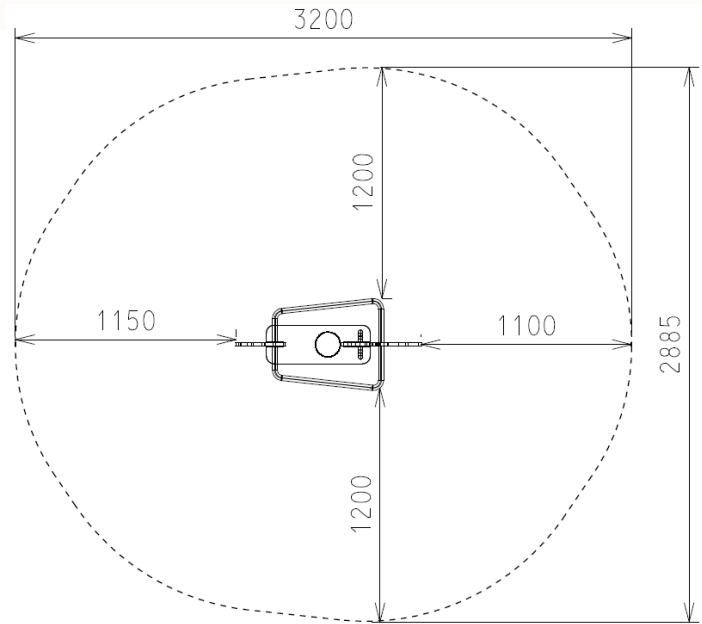
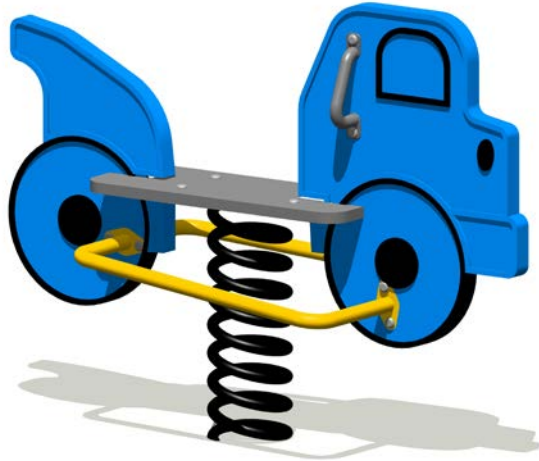




TRUCK

SPECIFICATION SHEET



FALL ZONES

Area: 2.885M x 3.2m (9.232m²) | FHOV: 0.43m | Equip Size: 0.96m x 0.48m | Max Height: 0.8m

PRODUCT CODE	SE19
COLOURS	Panel: Standard Powder Coat Range
MATERIAL SPECIFICATION	Frame: Cast Aluminium Seat: Cast Aluminium Beam: Galvanised Steel Fasteners: Steel & Stainless Steel Powder Coating: 80-120μ Spring: Steel
AGE GROUP	All Ages
PLAYSPACES	Parks, Schools, Commercial



[DOWNLOAD DESIGN FILES HERE](#)



OTHER INFORMATION

Spare Parts: Available | Warranty: 20 years | Quality Assurance: Yes | Insurance: Yes
Installation: Refer manual

STANDARDS

Complies with relevant Australian Standards including:

- AS 4685:2014 (P 1-6) | • AS 4685.0:2017 | • AS/NZS 4422: 2016

*All information is commercial in confidence and is the property of Forpark Australia. All information in correct as at September 2017.

*For details regarding Australian Standards, Warranties, Insurances, QA and Installation please contact your local office.